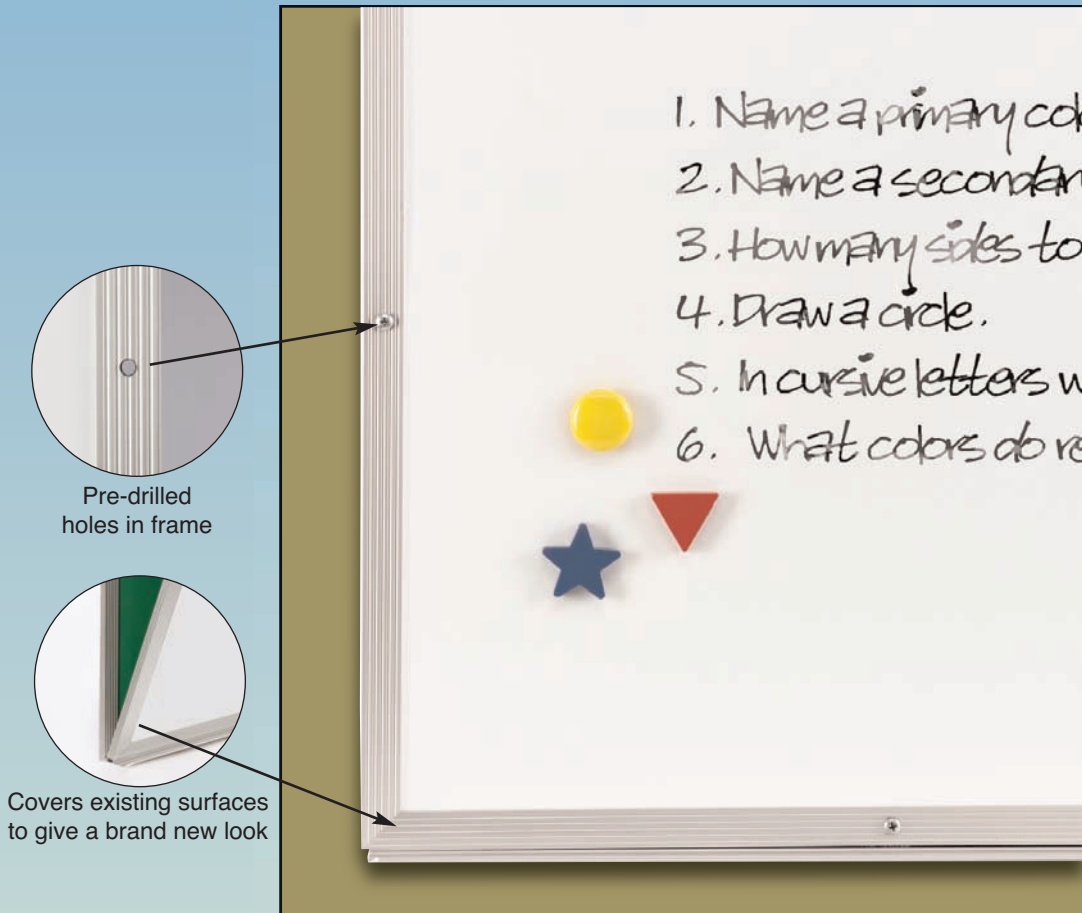




Renewal Series Markerboards



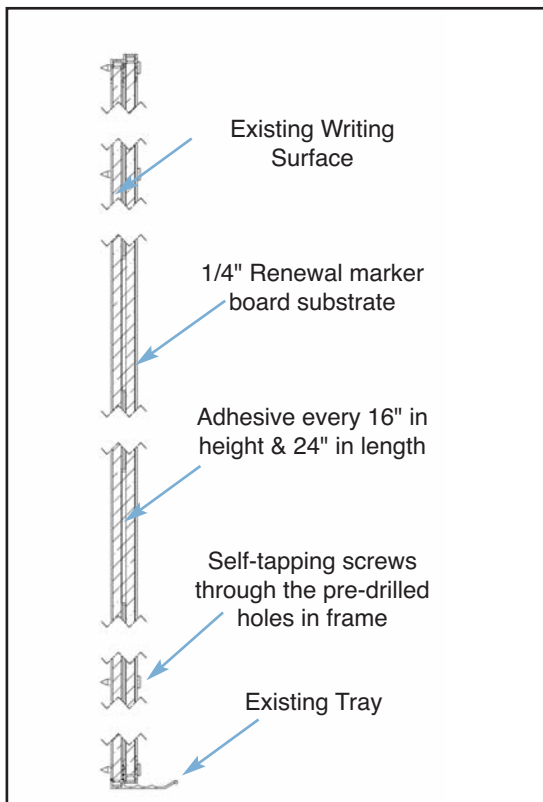
Renewal markerboards from Ghent offer a simple way to update old, worn out boards.

Renewal boards are designed to attach directly over existing framed boards with no need to remove the old boards. With Renewal, simply order to the exact size of the original board to be covered including the frame, but not the tray.

All Renewal markerboards feature 28-gauge porcelain writing surfaces completely surrounded by satin anodized aluminum trim with no marker trays. Factory pre-drilled holes in the aluminum framing make installation quick and easy. Renewal markerboards will provide added years of reliable service and are backed by Ghent's 50-year performance guarantee.



- Designed to fit directly over existing board
- Aluminum framed on all four sides with pre-drilled holes for easy installation
- Premium porcelain marker surface accepts magnets and will not ghost or stain
- Each Renewal board is custom built to fit your specific requirements
- Quick mounting method eliminates having to remove old board from wall
- Backed by Ghent's 50-year performance guarantee



**Installation
is a snap!**



Align over existing board.



Screw into pre-drilled holes.



Installation Complete!

Renewal Series Markerboards

Item Number	Width
RNM146	up to 72½" wide
RNM148	72⅝" up to 96½" wide
RNM1410	96⅝" up to 120½" wide
RNM1412	120⅝" up to 144½" wide

- Specify desired board size when ordering
- Board height available up to 48½"
- Renewal markerboards are built to order and are non-returnable



2999 Henkle Drive • Lebanon, OH 45036
 513-932-3445 • 800-543-0550 • Fax: 513-932-9252
 www.ghent.com



Printed with soy-based inks on FSC Certified recycled paper
 RMBSS0210